

# ***5371 Series Printer***

## **Parts Information Manual**



## Disclaimer

Information in this document is subject to change without notice. Consult your Pertech® sales representative for information that is applicable and current. Pertech reserves the right to improve products as new technology, components, software and firmware become available.

No part of this document may be reproduced or transmitted in any form or by any means, electronic or mechanical, for any purpose without the express written permission of Pertech.

## Copyright

Copyright © 2009 by Pertech Resources, Inc.  
Riverton, Wyoming USA  
All rights reserved  
Printed in USA  
Confidential, Unpublished  
Property of Pertech Resources, Inc.

## Trademarks

PERTECH® is a registered trademark of PERTECH RESOURCES, INC.  
Other trademarks and registered trademarks are the property of their respective holders

## Web site

<http://www.pertechresources.com/>

## Federal Communications Commission (FCC) Radio Frequency Interference Statement

### Warning

Changes or modifications to this unit not expressly approved by the party responsible for compliance could void the user's authority to operate the equipment.

### Note

This equipment has been tested and found to comply with the limits for a Class B digital device, pursuant to Part 15 of the FCC rules. These limits are designed to provide reasonable protection against harmful interference when the equipment is operated in a commercial environment. This equipment generates, uses, and can radiate radio frequency energy and, if not installed and used in accordance with the instruction manual, may cause harmful interference to radio communications. Operation of this equipment in a residential area is likely to cause harmful interference in which case the user will be required to correct the interference at his own expense.

### Information to the User

This equipment must be installed and used in strict accordance with the manufacturer's instructions. However, there is no guarantee that interference of radio communications will not occur in a particular commercial installation. If this equipment does cause interference, which can be determined by turning the equipment off and on, the user is encouraged to contact Pertech immediately.

Pertech is not responsible for any radio or television interference caused by unauthorized modification of this equipment, or the substitution of attachment or connection cables and equipment other than those specified by Pertech. The correction of interferences caused by such unauthorized modification, substitution or attachment will be the responsibility of the user.

## Industry Canada

This Class B digital apparatus complies with Industry Canada Standard ICES-003.  
*Cet appareil numérique de la classe B est conforme à la norme NMB-003 d'Industrie Canada.*

## **Important Information to the User**

In order to ensure compliance with the Product Safety, FCC and TUV marking requirements, you must use the power supply, power cord, and interface cable which were shipped with this product or which meet the following parameters:

### **Power Supply**

Input power to this product must be provided by one of the following:

(1) A NRTL Certified power source with a Limited Power Source

(LPS) output for use in North America, input rated 100 - 240 Vac, 1.5 A, 50/60 Hz, Output rated 24Vdc, 2.5 A Maximum and 60W Maximum. or

(2) A power source with a Limited Power Source (LPS) output Certified by an agency recognized in the country of installation, input rated 100 - 240 Vac, 1.5 A, 50/60 Hz, Output rated 24Vdc, 2.5 A Maximum and 60W Maximum. Use of this product with a power supply other than the Pertech power supply will require you to test this power supply and the Pertech printer for FCC and TUV mark certification.

### **Interface Cable**

A shielded (360 degree) interface cable must be used with this product. The shield must be connected to the frame or earth ground reference at each end of the cable.

Use of a cable other than the described here will require that you test this cable with the Pertech printer and your system for FCC and TUV mark certification.

### **Power cord**

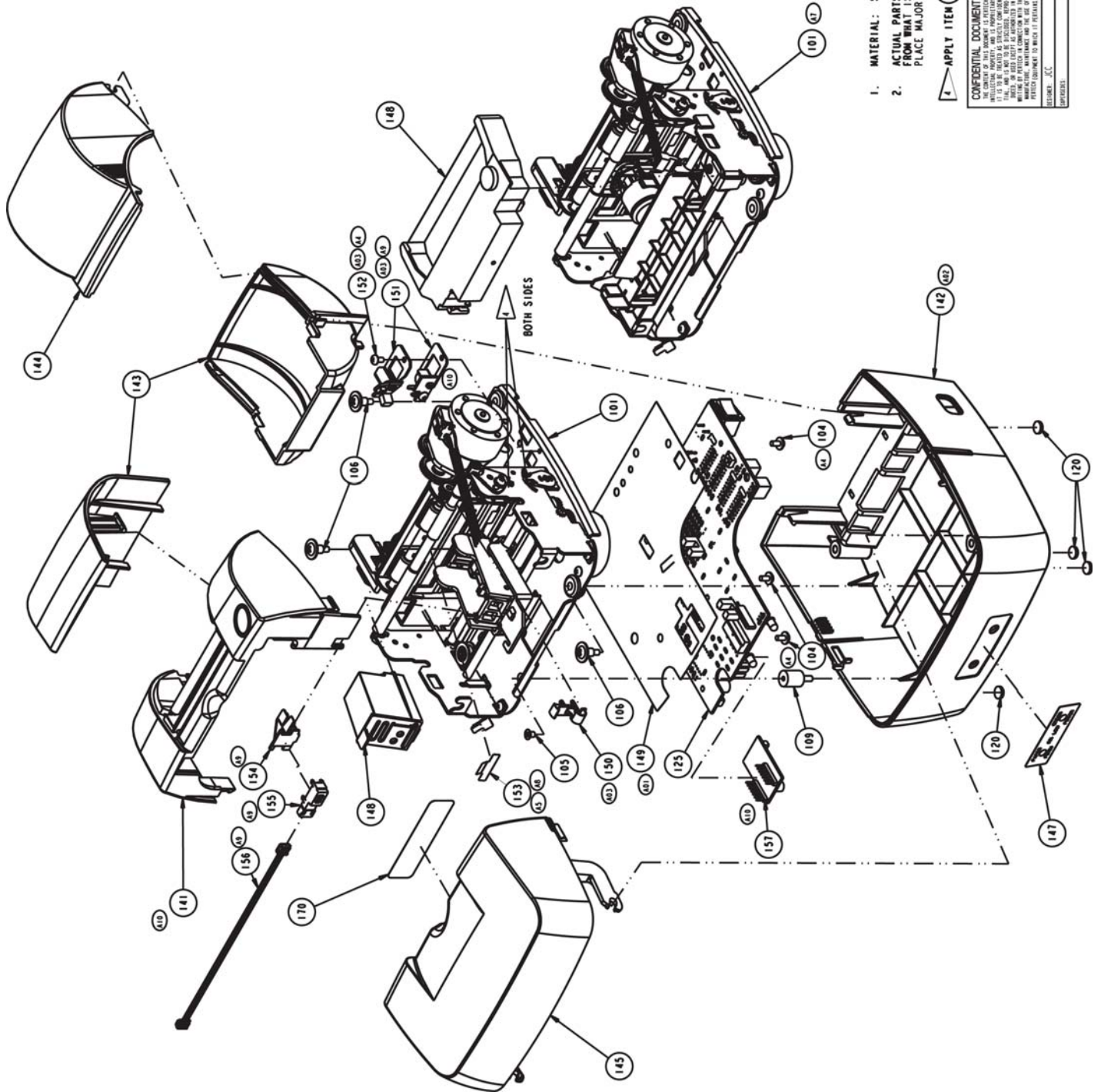
For North America a NRTL Recognized detachable power cord must be used. For applications where the power supply module may be located on the floor, a power cord with Type SJT marking must be used.

For applications outside of North America, Power cords which meet the country of installation's certification and application requirements must be used.

Use of a power cord other than described here may result in a violation of safety certifications which are in force in the country of use.

## **Pertech Resources Proprietary**

Notice: This drawing and/or technical information is Proprietary to Pertech Resources Inc. , and is issued in confidence, and may not be reproduced or used to manufacture anything without written permission from Pertech Resources Inc., and is loaned for mutual assistance to be returned when its purpose is served.



1. MATERIAL: SEE BOM
2. ACTUAL PARTS MAY DIFFER SOMEWHAT FROM THOSE DEPICTED ON THIS DRWG. PLACE MAJOR EMPHASIS ON PART NO.

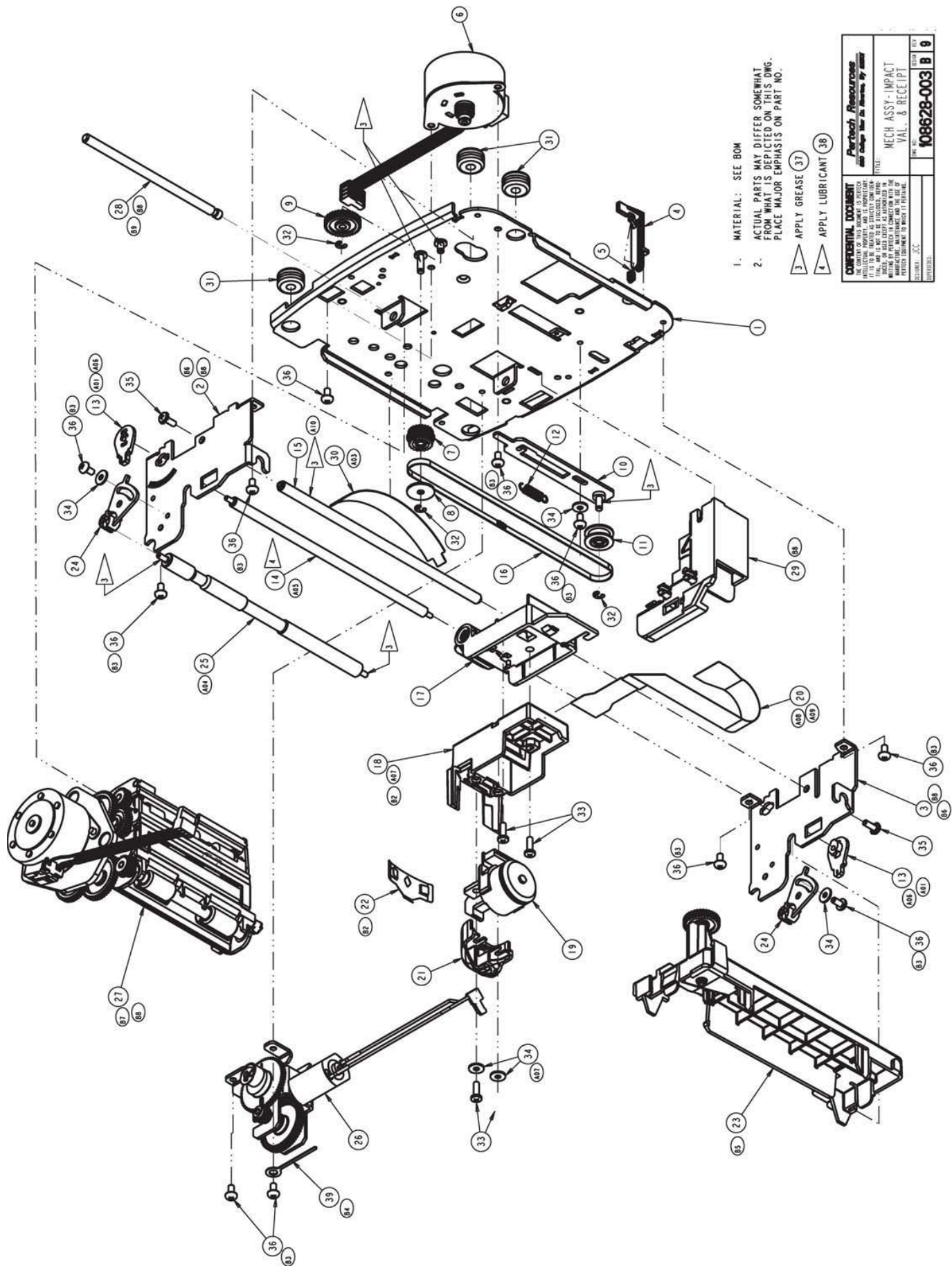
▲ APPLY ITEM (102) 4 PLACES.

CONFIDENTIAL DOCUMENT	
Perteck Resources 800 College Ave Dr. Perteck, NY 12568	
TITLE: TLA ASSY-5300	
DATE: 200115	REV: A 10
DESIGNED: JCC	
CHECKED: [Blank]	

**Item #: 537100001C**  
**Item Desc: 5371-IP, BLK,**  
**RSG, FTS, ACL**  
**Revision Level: 05**  
**Print Date: 11/10/2009**  
**Effective Date: 09/30/2009**

Level	Item Number	Qty	Bubble #	Item Description
1	108628003B	1	101	MECH ASSY-IMPACT VAL. & RECEIPT
1	100261046	0	102	ADHESIVE (TORQUE SEAL, PURPLE)
1	100173240	3	104	SCREW-WASHER HD. M3X.5MM 6MM LONG
1	100173386	1	105	SCREW-6-32 X .188 PH FLAT 100 DEG.
1	100173384	3	106	SCREW-SHOULDER
1	100239002	1	109	SANDWICH MOUNT .500 OFFSET, HARD
1	104315006A	4	120	FOOT-RUBBER
1	108469300C	1	125	ASSEMBLY-SUNLIGHT INKPACT PRINTER PCB
1	108635001A	1	141	CASE TOP REAR ASSY, BLACK
1	108535010C	1	142	CASE-BOTTOM, BLACK
1	108536010B	1	143	CRADLE-BOTTOM
1	108637001A	1	144	CRADLE TOP ASSY, BLACK
1	108636001B	1	145	CASE TOP FRONT-ASSY BLACK
1	108540002A	1	147	LABEL-LED, SUNLIGHT, BLACK
1	100629012	1	148	RIBBON CART, PURPLE, 5300
1	108548B	1	149	INSULATOR-PCB, 5300
1	108631A	1	150	GUIDE-RIGHT FORM EDGE
1	108819A	1	154	BRACKET-SENSOR FORM TAKEN
1	101219064	1	155	SWITCH-REFLECTIVE, OPIC, GP2A231LRSAF
1	108822A	1	156	ASSY-HARNESS. FORM TAKEN, 5300
1	220322A	1	161	SET UP GUIDE - 5300
1	107074006	1	167	POWER SUPPLY, 60W, SWITCHING, C6 TO MINI DIN
1	102531017	1	800	PWR CORD-NEMA 5-15,IEC320/C5, 6FT

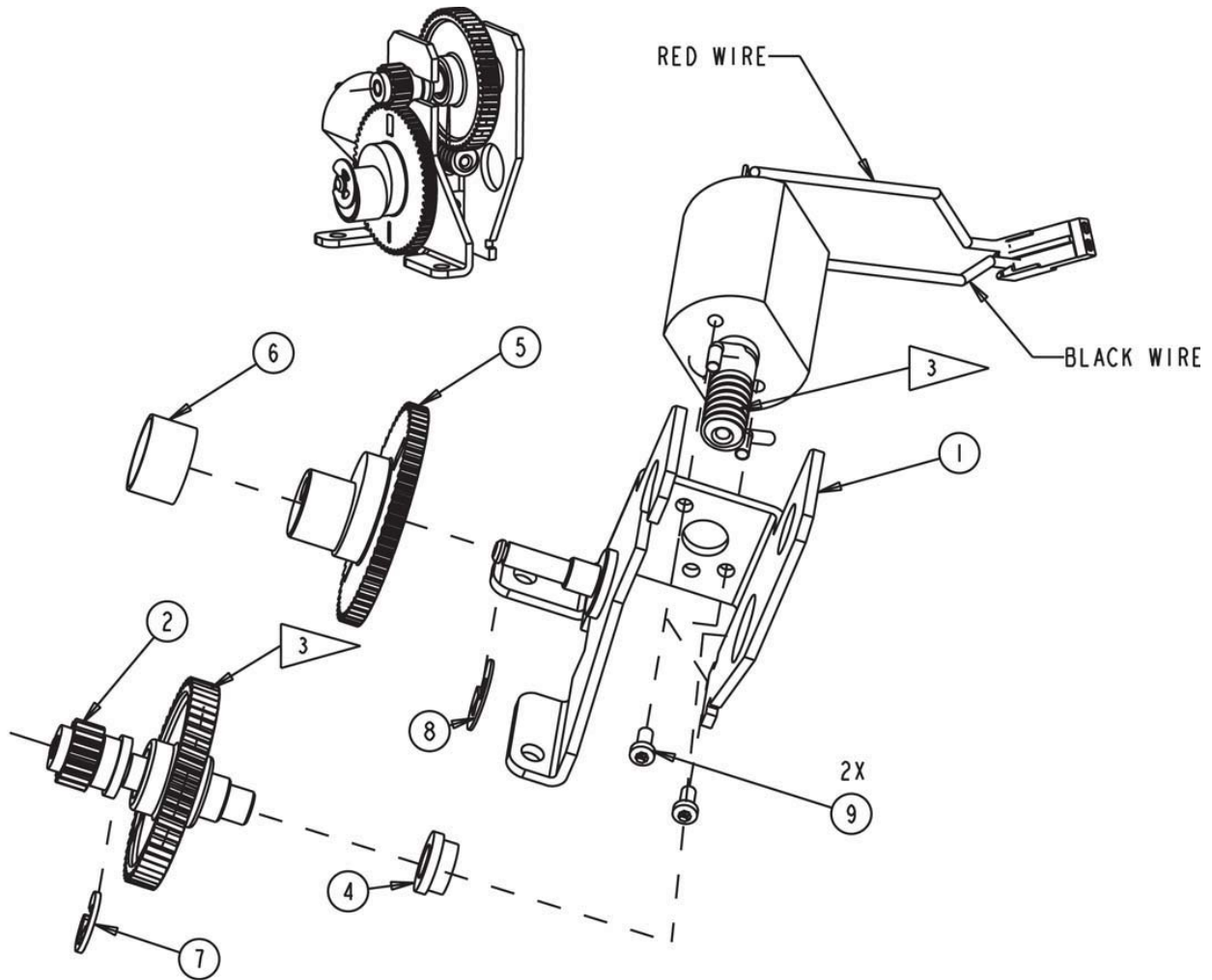




- 1. MATERIAL: SEE BOM
- 2. ACTUAL PARTS MAY DIFFER SOMEWHAT FROM WHAT IS DEPICTED ON THIS DWG. PLACE MAJOR EMPHASIS ON PART NO.
- 3. APPLY GREASE (37)
- 4. APPLY LUBRICANT (38)

<b>CONFIDENTIAL DOCUMENT</b> THE CONTENT OF THIS DOCUMENT IS PROPRIETARY AND NOT TO BE DISCLOSED TO ANY OTHER PARTY WITHOUT THE WRITTEN PERMISSION OF THE COMPANY. ANY REPRODUCTION OR TRANSMISSION OF THIS DOCUMENT IS STRICTLY PROHIBITED. THE COMPANY ASSUMES NO LIABILITY FOR ANY DAMAGE OR LOSS OF PROFITS INCURRED BY ANY PARTY USING THIS DOCUMENT IN ANY MANNER.	
Partech Resources and Supply, Inc. 2000 W. Alameda, St. Louis, MO 63103	
TITLE: MECH ASSY - IMPACT VAL. & RECEIPT	
REV: 1	REV: 1
DATE: 10/28/2003	REV: 1
BY: B	REV: 1
CHK: 9	REV: 1

Level	Item Number	Qty	Bubble #	Item Description
1	108628003B	1	101	MECH ASSY-IMPACT VAL. & RECEIPT
.2	108561001A	1	1	CHASSIS, BASE SUNLIGHT-ASSY
.2	108504D	1	2	FRAME-SIDE RIGHT
.2	108505D	1	3	FRAME-SIDE LEFT
.2	108580A	1	4	PLUNGER COVER OPEN
.2	104107A	1	5	SPRING RIBBON FEED PAWL 12COIL
.2	108468002A	1	6	MOTOR-CARRIAGE-ASSY
.2	108488A	1	7	GEAR-24T/20 GROOVE PULLEY
.2	108502A	1	8	WASHER-PULLEY, DRIVE
.2	108517A	1	9	GEAR-36T, .5 MOD, IDLER
.2	108503001A	1	10	PLATE-BELT TENSION-ASSY
.2	108495A	1	11	PULLEY-IDLER, BELT
.2	101231030	1	12	SPRING-EXT .188 DIA X .75 LG X .024 DIA
.2	108573C	2	13	CAM-HEAD ADJUST
.2	108509B	1	14	STRINGER-CARRIAGE
.2	108510A	1	15	STRINGER-TAIL
.2	102852016	1	16	BELT- TIMING, MXL, .080P, 1/8"
.2	108491001A	1	17	CARRIAGE-HEAD ASSEMBLY
.2	108497C	1	18	MOUNT-HEAD, IMPACT
.2	108543A	1	19	HEAD-IMPACT 9WIRE KPS
.2	108546001A	1	20	CABLE-FLEX MOD AND ASSY IMPACT
.2	108552A	1	21	GUIDE-HEAD IMPACT
.2	108618B	1	22	SHIELD-RIBBON
.2	108616001B	1	23	ASSY-RIBBON DECK
.2	108499A	2	24	CAM PRESSURE ROLLER
.2	108511B	1	25	SHAFT-PRESSURE, VALIDATION
.2	108607001A	1	26	COMPENSATOR-DRIVE-ASSY
.2	108611001B	1	27	COMPENSATOR ASSY
.2	108526A	1	28	SHAFT-PIVOT, COMP
.2	108483C	1	29	FRAME-WIPE, SPIT STATION
.2	108583B	1	30	SPRING-FLAT, COMPENSATOR
.2	100238017	3	31	GROMMET G-411-2325
.2	100174013	3	32	C-CLIP FOR CAM GEAR
.2	100173387	4	33	SCREW-4-40 X .375 PAN PH ADH
.2	100172019	5	34	WASHER (FLAT #4 .312X.032)
.2	100173156	2	35	SCREW(4-40X.312 PAN SEMS EXT/P
.2	100173392	11	36	SCREW-M3X6-POSI-PAN-TAPTITE
.2	101379015	0	37	GREASE-NYE 719M
.2	101379024	0	38	LUBRICANT-PERMAWICK P2AO350
.2	103794003	1	39	CABLE CLAMP



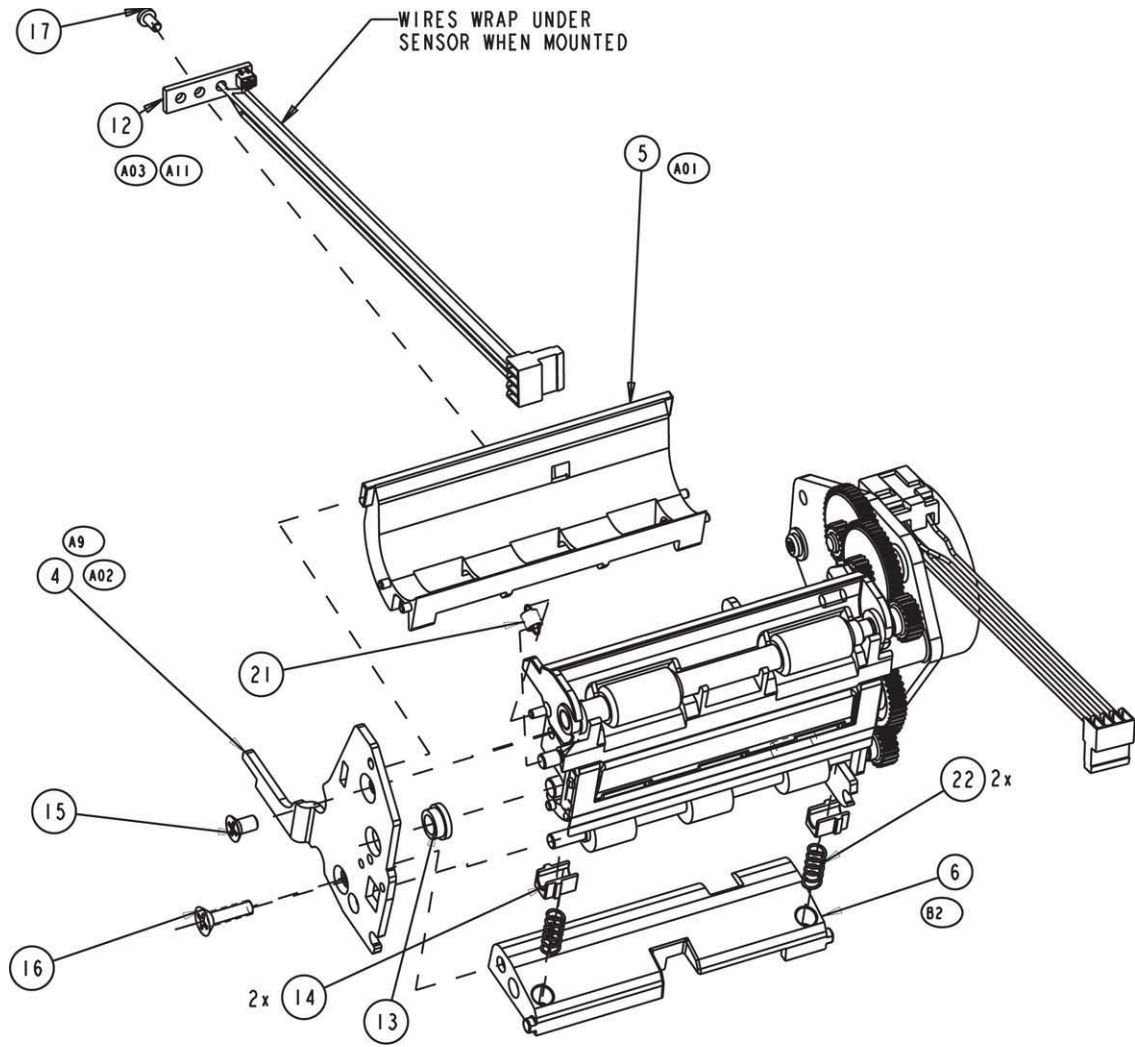
1. MATERIAL: SEE BOM
2. ACTUAL PARTS MAY DIFFER SOMEWHAT FROM WHAT IS DEPICTED ON THIS DWG. PLACE MAJOR EMPHASIS ON PART NO.

3 APPLY MOLYKOTE GREASE (10) (2)

<b>CONFIDENTIAL DOCUMENT</b>		<b>Pertech Resources</b>	
THE CONTENT OF THIS DOCUMENT IS PERTECH INTELLECTUAL PROPERTY, AND IS PROPRIETARY. IT IS TO BE TREATED AS STRICTLY CONFIDENTIAL, AND IS NOT TO BE DISCLOSED, REPRODUCED, OR USED EXCEPT AS AUTHORIZED IN WRITING BY PERTECH IN CONNECTION WITH THE MANUFACTURE, MAINTENANCE AND THE USE OF PERTECH EQUIPMENT TO WHICH IT PERTAINS.		880 College View Dr. Riverton, WY. 82501	
DESIGNER: J MASON		TITLE: COMPENSATOR-DRIVE ASSY	
SUPERSEDES:		SIZE: DWG NO: 108607-001	DESIGN REV: A 2

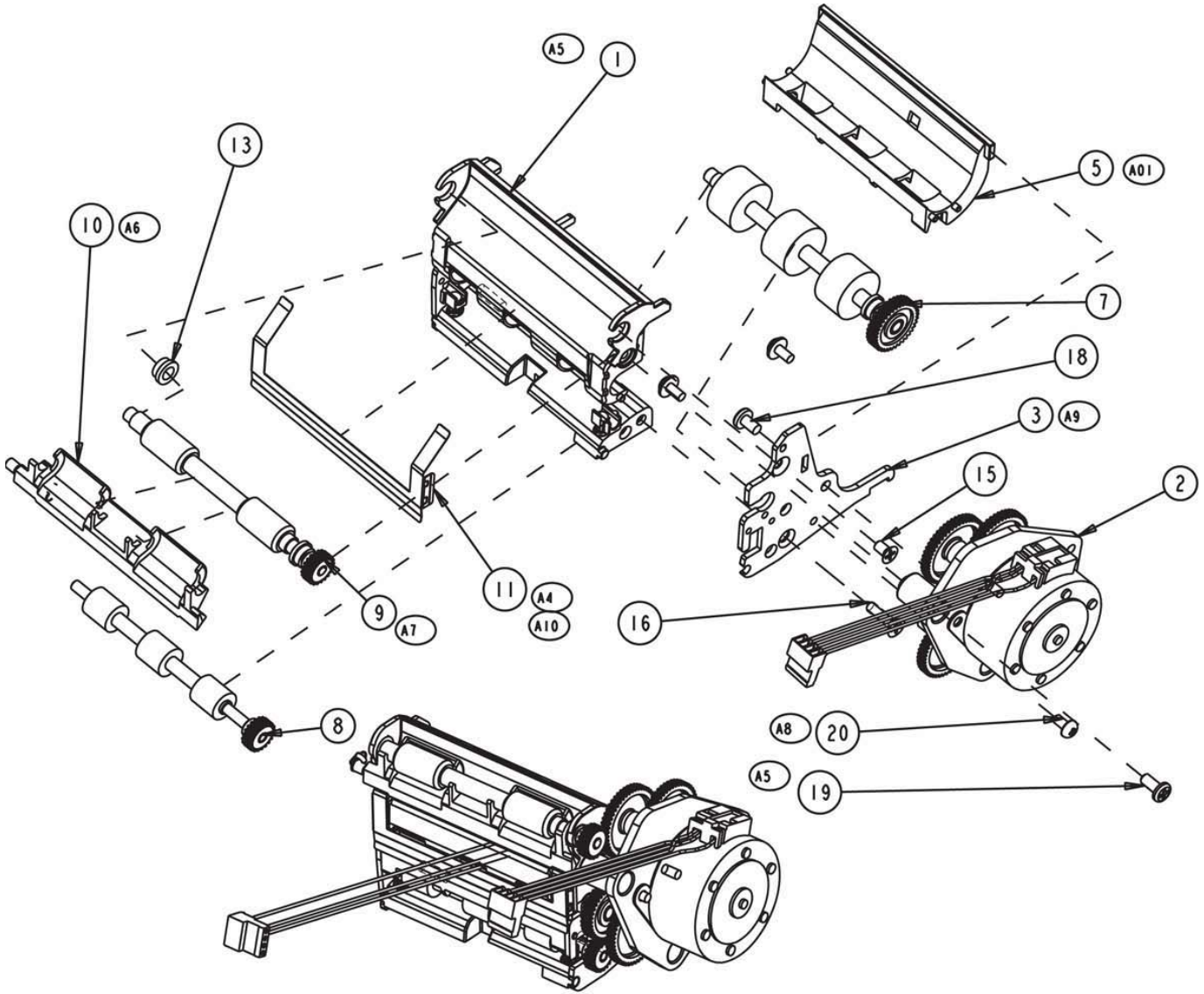
Level	Item Number	Qty	Bubble #	Item Description
.2	108607001A	1	26	COMPENSATOR-DRIVE-ASSY
..3	108530001A	1	1	FRAME-COMPENSATOR DRIVE ASSY
..3	108528001A	1	2	HELICAL DRIVE-ASSY
..3	108609001A	1	3	MOTOR-COMP DRIVE ASSY
..3	103250	1	4	BEARING
..3	108558A	1	5	GEAR/CAM
..3	108567A	1	6	FOLLOWER-COMP. CAM
..3	100174014	1	7	RING RETAINER
..3	100174065	1	8	RING-RETAINER,.110 SHAFT(X5133-11)
..3	100173380	2	9	SCREW-M2 X 4 PAN PHIL, THRD FORM
..3	101379020	0	10	GREASE-MOLY KOTE





1. MATERIAL: SEE BOM
2. ACTUAL PARTS MAY DIFFER SOMEWHAT FROM WHAT IS DEPICTED ON THIS DWG. PLACE MAJOR EMPHASIS ON PART NO.

<b>CONFIDENTIAL DOCUMENT</b>		<b>Pertech Resources</b>	
<small>THE CONTENT OF THIS DOCUMENT IS PERTECH INTELLECTUAL PROPERTY, AND IS PROPRIETARY. IT IS TO BE TREATED AS STRICTLY CONFIDENTIAL, AND IS NOT TO BE DISCLOSED, REPRODUCED, OR USED EXCEPT AS AUTHORIZED IN WRITING BY PERTECH IN CONNECTION WITH THE MANUFACTURE, MAINTENANCE AND THE USE OF PERTECH EQUIPMENT TO WHICH IT PERTAINS.</small>		<small>880 College View Dr. Riverton, WY. 82501</small>	
		TITLE: <b>COMPENSATOR ASSY</b>	
SIZE	DWG NO:	DESIGN	REV
	<b>108611-001</b>	<b>B</b>	<b>2</b>



(A01) 1. PART (12) HIDDEN FOR CLARITY

<b><i>Pertech Resources</i></b>			
<small>880 College View Dr. Riverton, WY. 82501</small>			
TITLE:			
COMPENSATOR ASSY			
DWG NO:	DESIGN	REV	
108611-001	B	2	
SHEET:			2 OF 2

<b>Level</b>	<b>Item Number</b>	<b>Qty</b>	<b>Bubble #</b>	<b>Item Description</b>
.2	108611001B	1	27	COMPENSATOR ASSY
..3	108508C	1	1	PRINTBAR-SERRATED
..3	108612001A	1	2	MOTOR-DRIVEPLATE ASSY RECEIPT/VALIDATION
..3	108569B	1	3	FRAME-PAPER, RIGHT
..3	108572C	1	4	FRAME-PAPER, LEFT
..3	108557B	1	5	GUIDE-PAPER LOAD
..3	108563B	1	6	PIVOT-PAPER PATH
..3	108475001A	1	7	ROLLER-PRIMARY ASSY
..3	108498001A	1	8	ROLLER-SECONDARY ASSY
..3	108570001B	1	9	ROLLER-MLV ASSY
..3	108523B	1	10	DEFLECTOR PAPER PATH
..3	108617C	1	11	DRAG-PAPER, IMPACT
..3	108600310C	1	12	SENSOR ASSY-PAPER OUT (5300)
..3	103250	2	13	BEARING
..3	108598A	2	14	BEARING
..3	100173130	2	15	SCREW(6-32X.25 100 DEG FLT PHI
..3	100173375	2	16	SCREW-6-19 X .50,FH,PHIL,HI-LO
..3	100173383	1	17	SCREW-PLASTITE 48-2 X 3/16
..3	100173282	1	18	SCREW (#6 X .375 PLASTITE,P/P)
..3	100173280	1	19	SCREW (6-32X.312 PAN/P)ADHESIVE
..3	100173392	1	20	SCREW-M3X6-POSI-PAN-TAPTITE
..3	104107A	1	21	SPRING RIBBON FEED PAWL 12COIL
..3	101230019	2	22	SPRING-COMPRESSION



**Pertech Resources Inc.  
860 College View Drive  
Riverton, WY 82501  
Phone 307-856-4821  
Fax 307-856-0412**

**Contact Information:  
307-856-4821  
Warranty / Repair Ext 5027  
Technical Support Ext. 5040  
Parts Ext. 5090  
Sales Ext. 5017**

**Email:  
sales@pertechresources.com  
tech\_support@pertechresources.com  
warranty@pertechresources.com**